

(19) World Intellectual Property Organization
International Bureau



(43) International Publication Date
11 December 2008 (11.12.2008)

PCT

(10) International Publication Number
WO 2008/150265 A1

- (51) International Patent Classification:
A62C 35/02 (2006.01)
- (21) International Application Number:
PCT/US2007/013595
- (22) International Filing Date: 11 June 2007 (11.06.2007)
- (25) Filing Language: English
- (26) Publication Language: English
- (30) Priority Data:
11/802,793 25 May 2007 (25.05.2007) US
- (71) Applicant (for all designated States except US): **SHELLEY, Rudolph** [US/TH]; 199/76 M.1 California Estates, Bangna-trad Rd., Nong Mai Daeng, Muang, Chonburi, 20000 (TH).
- (71) Applicant and
- (72) Inventor: **KAIMART, Phanawatnan** [TH/TH]; 14/8-9 M.1 Kaomaikaew, A. Banglamung, Chonburi, 20150 (TH).
- (74) Agent: **MURTAUGH, John, P.**; Pearne & Gordon LLP, 1801 East 9th Street, Suite 1200, Cleveland, OH 44114-3108 (US).

(81) Designated States (unless otherwise indicated, for every kind of national protection available): AE, AG, AL, AM, AT, AU, AZ, BA, BB, BG, BH, BR, BW, BY, BZ, CA, CH, CN, CO, CR, CU, CZ, DE, DK, DM, DO, DZ, EC, EE, EG, ES, FI, GB, GD, GE, GH, GM, GT, HN, HR, HU, ID, IL, IN, IS, JP, KE, KG, KM, KN, KP, KR, KZ, LA, LC, LK, LR, LS, LT, LU, LY, MA, MD, ME, MG, MK, MN, MW, MX, MY, MZ, NA, NG, NI, NO, NZ, OM, PG, PH, PL, PT, RO, RS, RU, SC, SD, SE, SG, SK, SL, SM, SV, SY, TJ, TM, TN, TR, TT, TZ, UA, UG, US, UZ, VC, VN, ZA, ZM, ZW.

(84) Designated States (unless otherwise indicated, for every kind of regional protection available): ARIPO (BW, GH, GM, KE, LS, MW, MZ, NA, SD, SL, SZ, TZ, UG, ZM, ZW), Eurasian (AM, AZ, BY, KG, KZ, MD, RU, TJ, TM), European (AT, BE, BG, CH, CY, CZ, DE, DK, EE, ES, FI, FR, GB, GR, HU, IE, IS, IT, LT, LU, LV, MC, MT, NL, PL, PT, RO, SE, SI, SK, TR), OAPI (BF, BJ, CF, CG, CI, CM, GA, GN, GQ, GW, ML, MR, NE, SN, TD, TG).

[Continued on next page]

(54) Title: FIRE EXTINGUISHING BALL 2

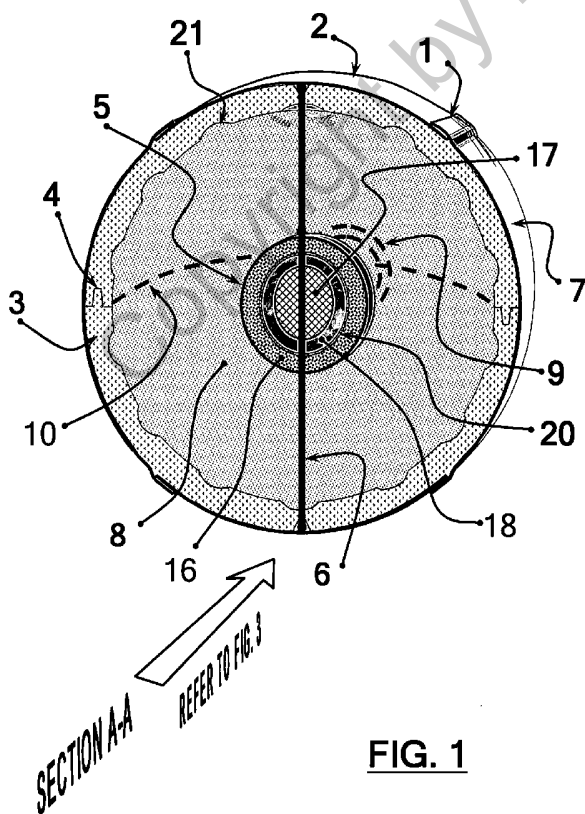


FIG. 1

(57) Abstract: A fire extinguishing device of the explosive type is disclosed for use in interior or localized exterior conflagrations, wherein the force of detonation is minimized through the use of low-density, low-mass components. The present invention is an improvement of U S Patent 6,796,382 by the same inventor, wherein the pyrotechnic detonator is advanced upon to attenuate the sound of the previous invention, and improve upon the omni-directional dispersal of the fire retarding agent. The exterior ball is composed of a lightweight casing of rigid plastic foam or other suitably frangible material, with an abrasion-resistant, thin plastic, protective, exterior sheathing. Within the internal cavity of the device, the above-mentioned low-yield pyrotechnic detonator is located inside and is actuated by fuse cords secured at or near the exterior surface. The interior volume of the hollow casing is charged with fire-retardant chemical agents.

WO 2008/150265 A1